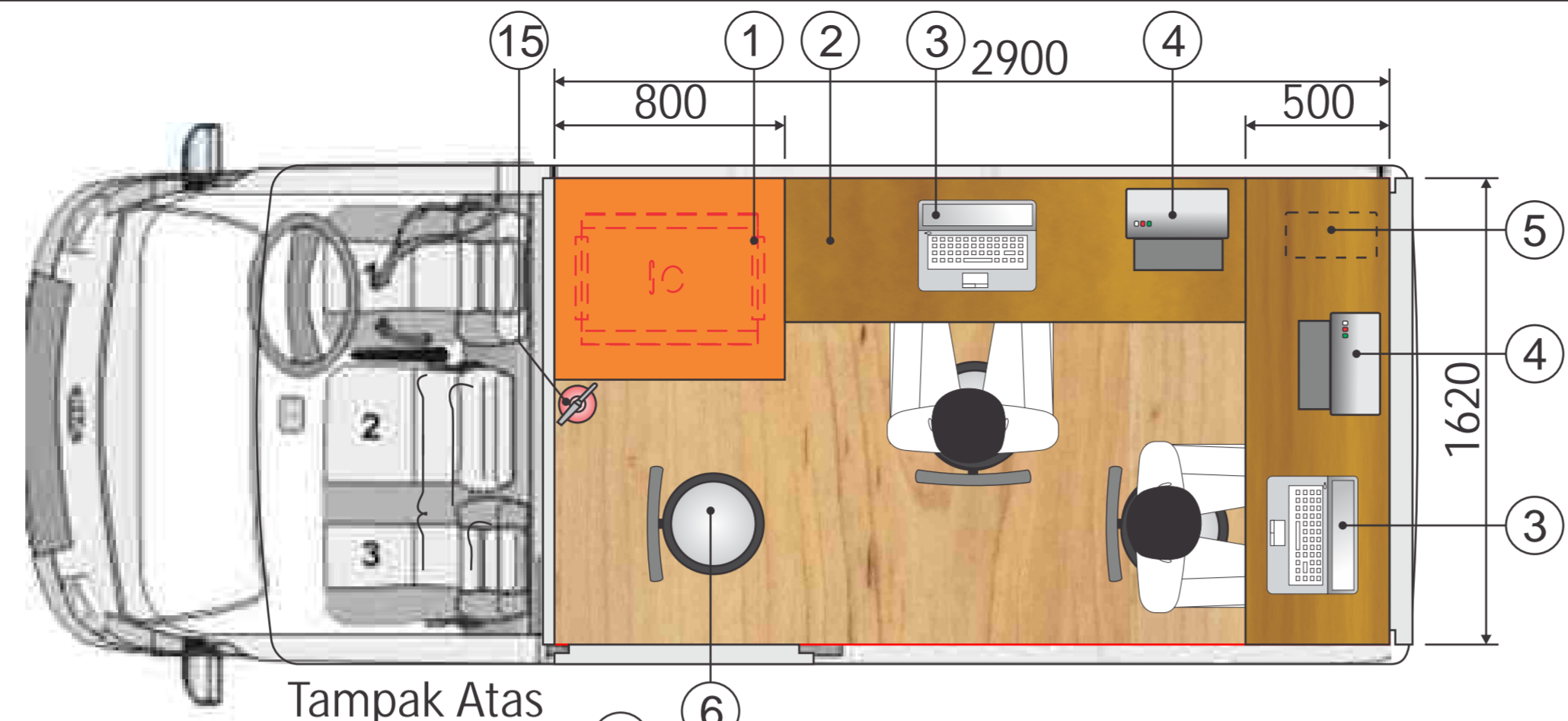


DRAWN NO :	
IS/MK/A/SAMSAT/CDR	
GENERAL TOLERANCES	
FABRICATION	
0 - 500	± 0.5
500 - 1500	± 1.0
1500 - 3000	± 2.0
3000 - 5000	± 3.0
5000 - 7000	± 3.5
7000 - ~	± 4.0
MACHINING	
0 - 50	± 0.1
50 - 150	± 0.15
150 - 250	± 0.2
250 - 350	± 0.25
350 - 450	± 0.3
450 - ~	± 0.35

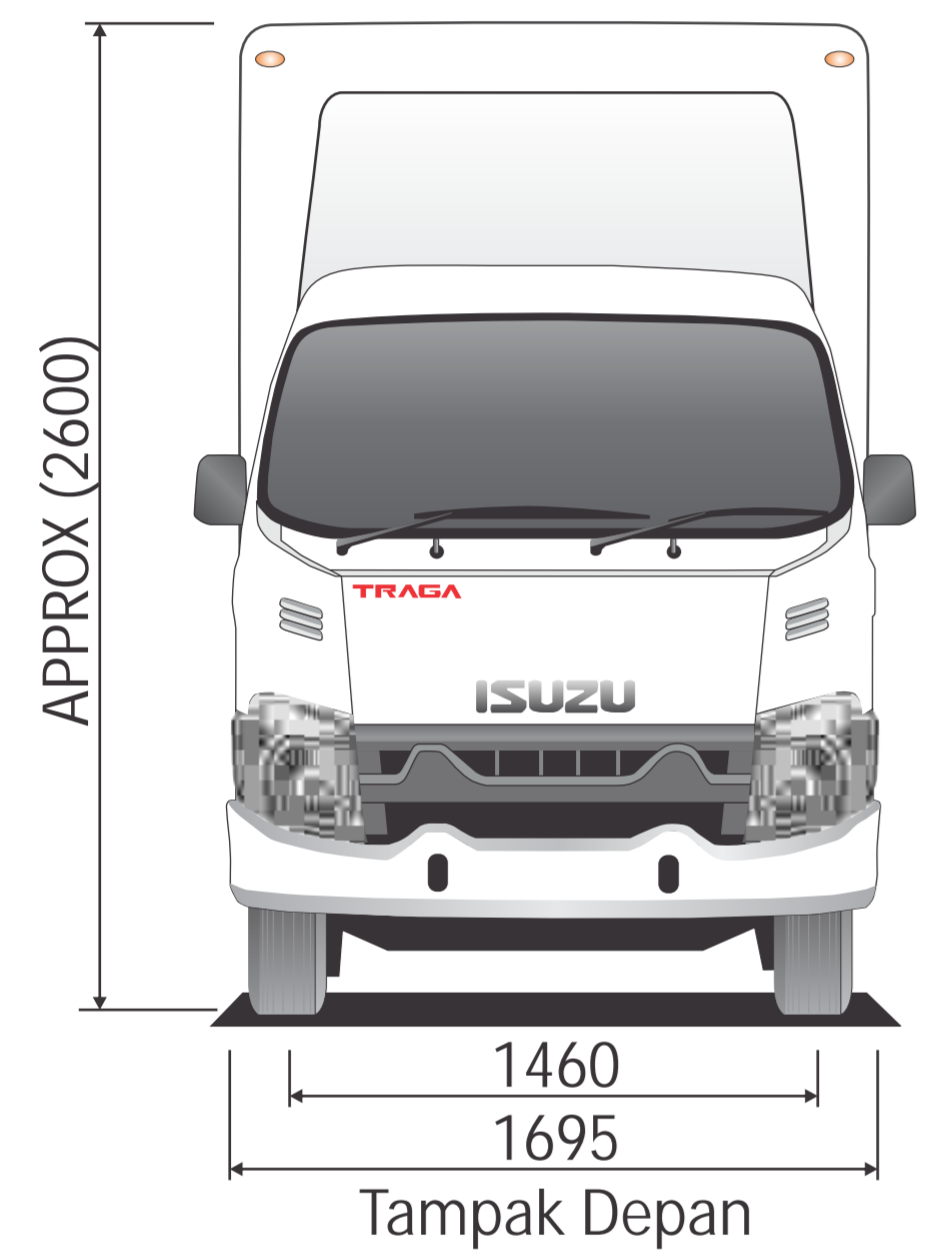
Revisi No.	Tanggal	Keterangan	Dibuat	Diperiksa	Disetujui

KETERANGAN :

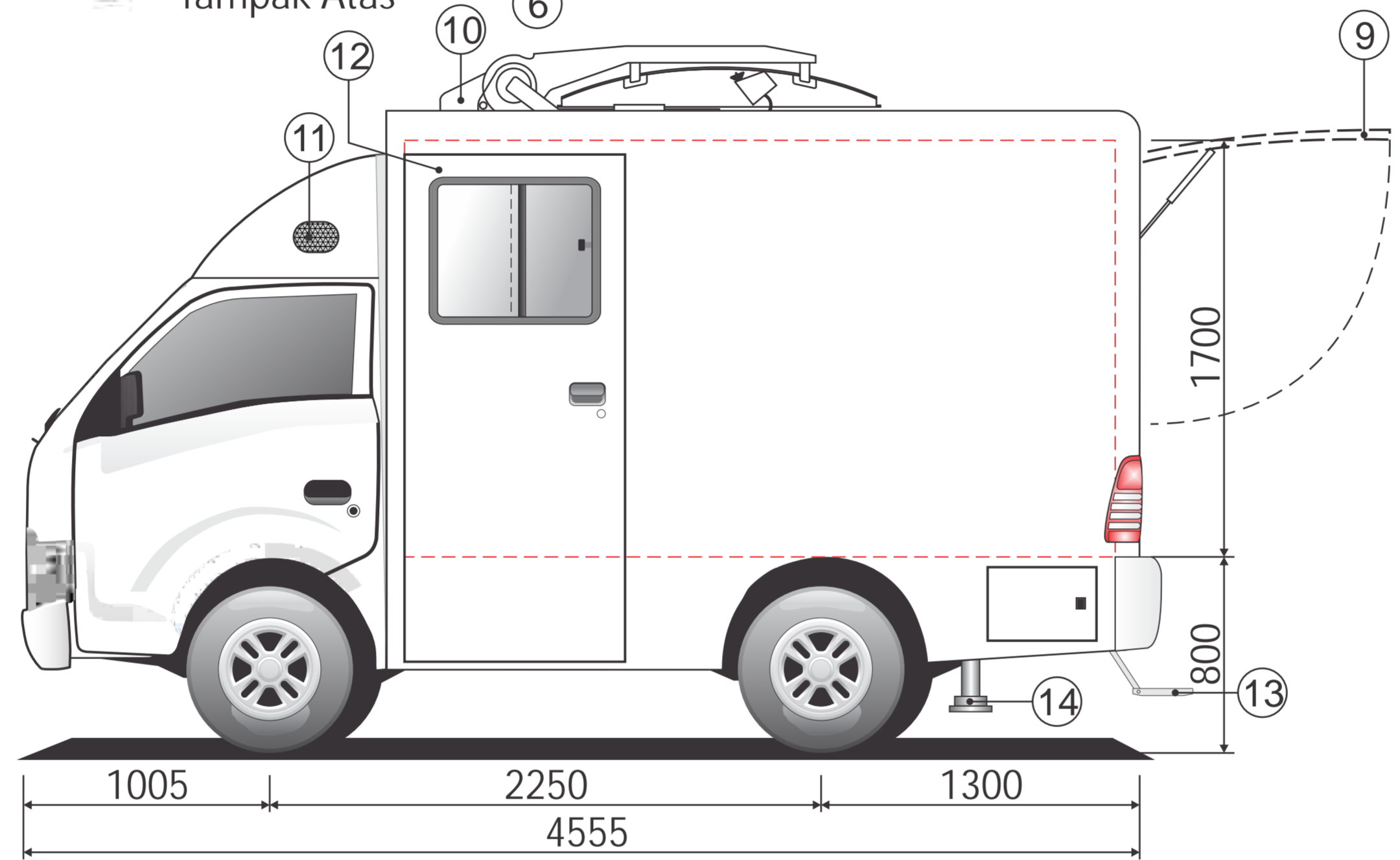
1. Genset 3 KVA
2. Meja pelayanan
3. Laptop
4. Printer dot matriks
5. UPS
6. Kursi operator
7. Tenda gulung
8. Pintu genset dan rak peralatan
9. Pintu belakang : Hatchback



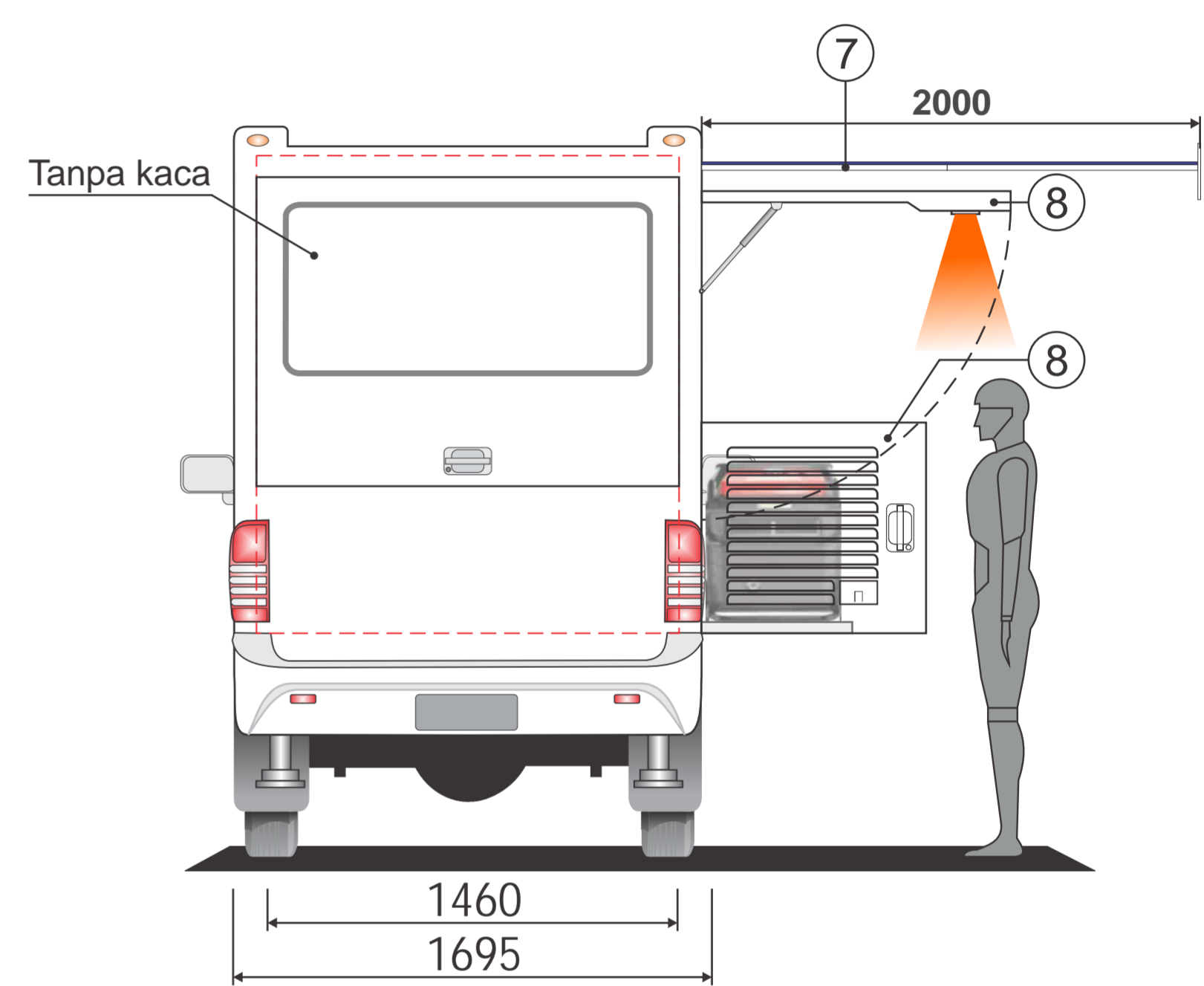
Tampak Atas



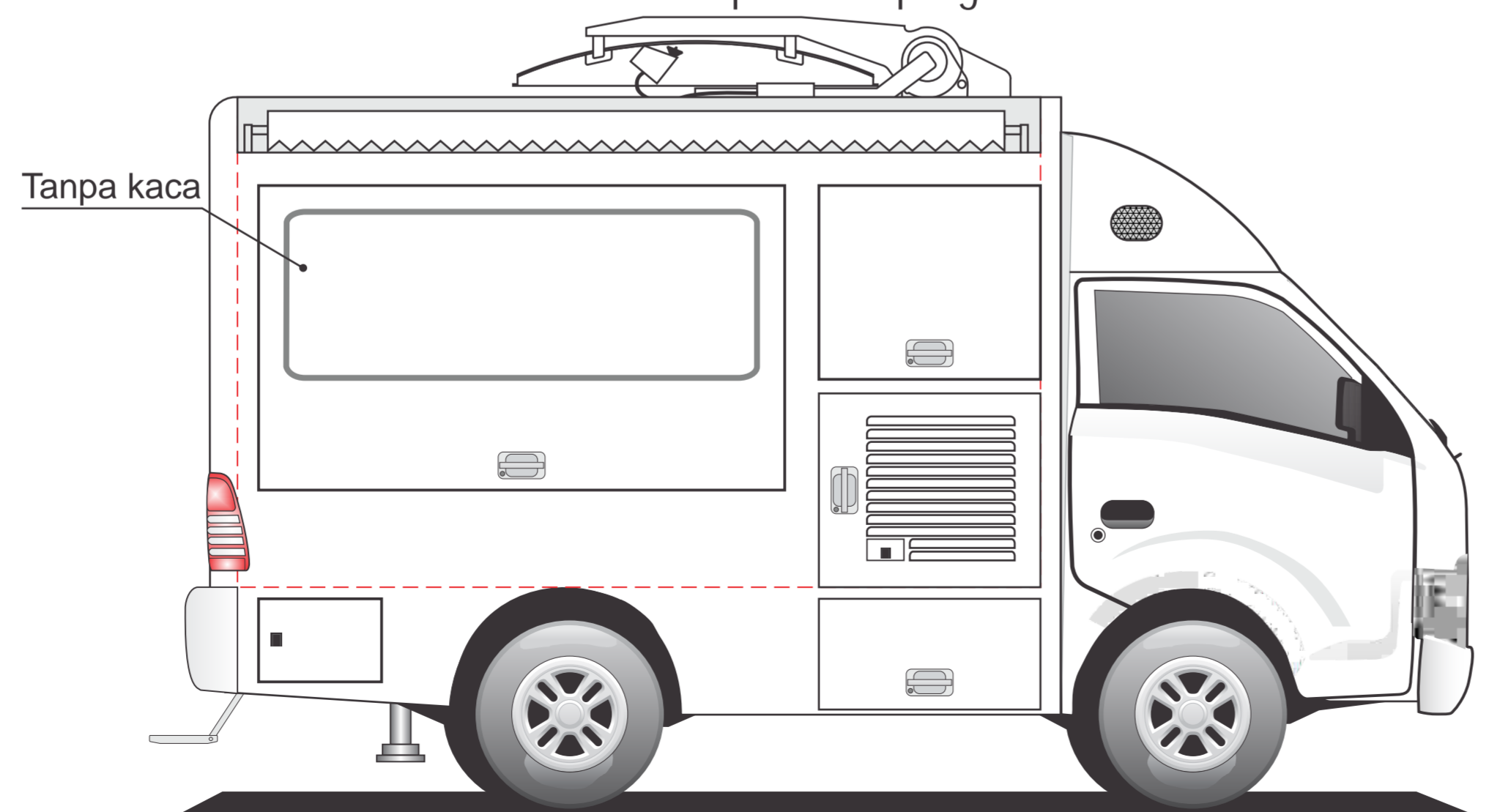
Tampak Depan



Tampak Samping Kiri



Tampak Belakang



Tampak Samping Kanan

10. Antenna VSAT
11. Speaker outdoor
12. Pintu samping model swing dilengkapi kaca geser
13. Foot step
14. Jack Stand
15. Racun Api

CUSTOMER APPROVED

Marketing / Sales :		
No Permintaan gmb :		
Customer :		
No Produksi :		
Dibuat :	Diketahui :	Disetujui :

QTY	NO	PART NAME	MATERIAL	SIZE	REMARK
Units	SCALE	: NS	SIGN	DATE	
mm	DRAWN	: NS		28/06/22	
	CHECKED	: NS			
QC	APPROVED: NS				
MFG	<p>SAMSAT KELILING</p> <p>ISUZU TRAGA</p>				
PROD					
PURCH					
MARK					
PIPC	A4		DRAWN NO :		
FILE			IS/MK/A/SAMSAT/CDR		
DISTR :			DRAWN QTY :		